

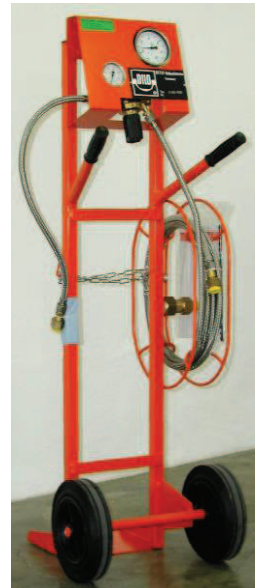
- ❑ **3-001-R001 SF₆-gas refilling device**
mobile as cylinder cart with **wire-braided** hoses and coupling DN8 and DN20
- ❑ **3-001-R002 SF₆-gas refilling device**
mobile as cylinder cart with **rubber** hoses and coupling DN8 and DN20

Standard equipment:

SF₆ bottle connection W 21.8 x 1/14 "
 0.7 m long hose DN8
 SF₆ pressure reducer
 6 m long hose DN8
 DILO coupling tongue part DN8
 DILO coupling tongue part DN20
 gauge indication in bar

Paint: orange (RAL 2004)

2 operating instructions in 3 languages (German/English/French)



Length: 480 mm
 Width: 540 mm
 Height: 1360 mm
 Weight: 24 kg

- ❑ **3-393-R001 SF₆-gas refilling device**
portable with rubber hose and coupling DN8 and DN20
- ❑ **3-393-R002 SF₆-gas refilling device**
portable in an **aluminium case** with rubber hose and coupling DN8 and DN20

Standard equipment:

SF₆ pressure reducer with thread W 21.8 x 1.14"
 5 m long hose DN8
 DILO coupling tongue part DN8
 DILO coupling tongue part DN20
 gauge indication in bar

2 operating instructions in 3 languages (German/English/French)



Case dimensions:

Length: 475 mm
 Width: 380 mm
 Height: 125 mm
 Weight: 7.5 kg

**Accessories:**

<input type="checkbox"/> SF ₆ bottle connection with Whitworth left-handed thread 0.96" for 3-001-R001/R002	3-334-R001 2.0401
<input type="checkbox"/> SF ₆ bottle connection with Whitworth left-handed thread 0.96" for 3-393-R001	3-245-R001 2.0401
<input type="checkbox"/> SF ₆ bottle connection with thread G 5/8 for 3-001-R001/R002	3-315-R001 2.0401
<input type="checkbox"/> Additional operating instruction in 3 languages (German/English/French)	6-0004-R100
<input type="checkbox"/> Packing for 3-001-R001/R002	3-262-R002
<input type="checkbox"/> Seaworthy packing for 3-001-R001/R002	3-262-R001
<input type="checkbox"/> Packing for 3-393-R001	3-948-R006
<input type="checkbox"/> Packing for 3-393-R002	3-775-R013

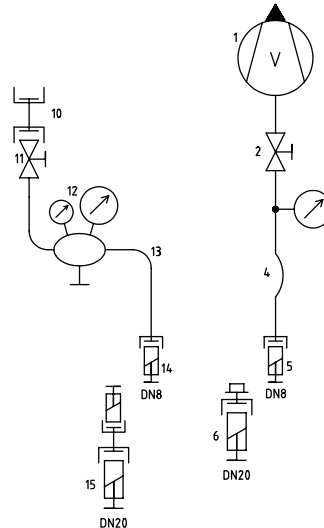
3-001-4-R002 Evacuating and refilling device

for evacuation of air and refilling of SF₆-gas with no gas loss

mobile as cylinder cart with wire-braided hoses DN8, coupling DN8 and DN20, **16 m³/h** vacuum pump, final vacuum < 1 mbar

Standard equipment:

1. 16 m³/h vacuum pump for air
2. ball valve DN8
3. gauge 0 to -1200 mbar
4. 6 m long wire-braided hose DN8
5. DILO coupling tongue part DN8
6. DILO coupling tongue part DN20
10. SF₆ bottle connection W 21.8 x 1/14 "
11. ball valve DN8
12. pressure reducer 0-10bar
13. 6 m long wire-braided hose DN8
14. DILO coupling tongue part DN8
15. DILO coupling tongue part DN20



Länge: 540 mm
 Breite: 570 mm
 Höhe: 1370 mm
 Gewicht: 55 kg

Paint: orange (RAL 2004)

Operating voltage: 220-240 V / 50/60 Hz alternating current

2 operating instructions in: () German () English () French

Option:

<input type="checkbox"/> Additional price for electrical special voltage 100 V / 50/60 Hz or 110-120 V / 60 Hz	6-0005-R030
<input type="checkbox"/> Additional price of electrical special voltage 127 V / 50 Hz or 200 V / 50/60 Hz	6-0005-R138

Accessories:

<input type="checkbox"/> SF ₆ bottle connection with Whitworth left-handed thread 0.96"	3-334-R001 P
<input type="checkbox"/> SF ₆ bottle connection with thread G 5/8	3-315-R001 P
<input type="checkbox"/> Additional operating instruction	6-0004-R102
<input type="checkbox"/> Packing	3-262-R002
<input type="checkbox"/> Seaworthy packing	3-262-R001
<input type="checkbox"/> Additional operating instruction on CD-ROM	6-0004-R109

3-001-3-R002 Evacuating and refilling device

for evacuation of air and refilling of SF₆-gas

mobile as cylinder cart with wire-braided hoses DN8, coupling DN8 and DN20, **16 m³/h** vacuum pump, final vacuum < 1 mbar

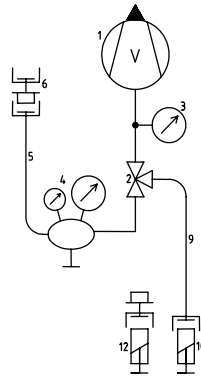
Standard equipment:

- 1 16m³/h vacuum pump
- 2 three-way ball valve DN8
- 3 vacuum indication –1200 / 0 mbar
- 4 SF₆ pressure reducer (0-10 bar)
- 5 0.7 m long wire-braided hose DN8
- 6 SF₆ bottle connection W 21.8 x 1/14"
- 9 6 m long wire-braided hose DN8
- 10 DILO coupling tongue part DN8
- 12 DILO coupling tongue part DN20

Paint: orange (RAL 2004)

Operating voltage: 220-240 V / 50/60 Hz alternating current

2 operating instructions in: () German () English () French



Width: 500 mm
Depth: 570 mm
Height: 1370 mm
Weight: 51 kg

Option:

<input type="checkbox"/> Additional price for electrical special voltage 100 V / 50/60 Hz or 110-120 V / 60 Hz	6-0005-R030
<input type="checkbox"/> Additional price of electrical special voltage 127 V / 50 Hz or 200 V / 50/60 Hz	6-0005-R138

Accessories:

<input type="checkbox"/> SF ₆ bottle connection with Whitworth left-handed thread 0.96"	3-334-R001 P
<input type="checkbox"/> SF ₆ bottle connection with thread G 5/8	3-315-R001 P
<input type="checkbox"/> Additional operating instruction for 3-001-3-R002	6-0004-R102
<input type="checkbox"/> Packing for 3-001-3-R002	3-262-R002
<input type="checkbox"/> Seaworthy packing for 3-001-3-R002	3-262-R001
<input type="checkbox"/> Additional operating instruction on CD-ROM	6-0004-R109

Note:

This version will be taken out of our product range as from the middle of 2010.

When using the hose for filling of SF₆-gas and evacuation of air SF₆-gas emissions will be produced.

SF₆-gas emissions should be avoided wherever possible!

We recommend using the 3-001-4-R...as alternative device